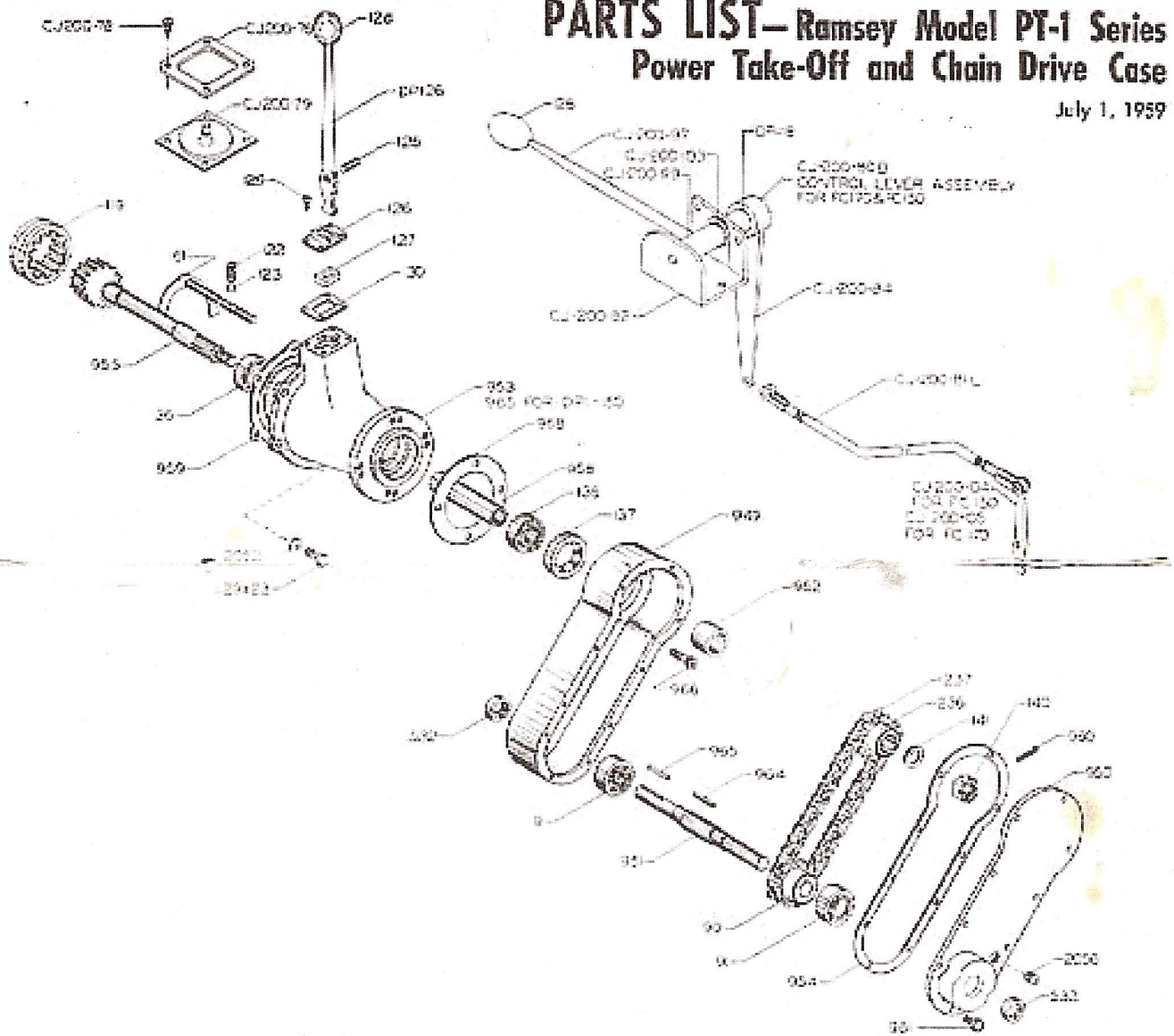


PARTS LIST—Ramsey Model PT-1 Series Power Take-Off and Chain Drive Case

July 1, 1959



NO. REQ'D	PART NO.	DESCRIPTION	NO. REQ'D	PART NO.	DESCRIPTION	NO. REQ'D	PART NO.	DESCRIPTION
4	29X23	Screw	2	532	Seal	1	DP-126	Lever
1	90	Sprocket	1	949	Housing	1	CJ200-76	Plate
2	91	Bearing	1	950	Cover	4	CJ200-78	Screw
1	117	Gear	1	951	Shaft	1	CJ200-79	Grammer
1	122	Spring	1	952	Spacer	CONTROL PARTS for PT1-F Power Take-Off for FC-150 and FC-170 and FC-150 Power Take-Off for FC-150		
1	123	Ball	1	953	Housing			
1	125	Pin	1	954	Gasket	1	CJ200-80B	Control Lever Assembly, for FC-150 or FC-170
1	126	Cover	1	955	Gear	1	126	Knob
1	127	Packing	1	958	Spacer	1	CJ200-81L	Rod
1	128	Knob	1	959	Gasket	1	CJ200-82	Bracket
4	129	Screw	1	960	Key	1	CJ200-84	Arm
1	130	Plate	10	961	Screw	1	CJ200-97	Lever
2	136	Bearing	1	964	Key	1	CJ200-99	Shaft
1	137	Seal	2	965	Key	1	CJ200-103	Snap Ring
1	140	Nut	4	966	Screw	1	DP-118	Key
1	141	Washer	1	968	Gasket	1	CJ200-104	Lever (FC-150)
1	161	Yoke	1	985	Housing (For PT1-150)	1	CJ200-105	Lever (FC-170)
1	236	Sprocket	4	2052	Lock Washer			
1	237	Chain	1	2056	Plug			

Ramsey Winch Co.

5531 EAST ADMIRAL PLACE • PHONE TULSA 3-1521
BOX 15879, ADMIRAL STATION • TULSA, OKLAHOMA